

GLX490 RM GALAXY HOOD GLASS

Instructions Manual

www.rangemaster.co.uk

Instructions Manual

INDEX

| | |
|---------------------------------------|----|
| RECOMMENDATIONS AND SUGGESTIONS | 3 |
| CHARACTERISTICS | 4 |
| INSTALLATION..... | 6 |
| USE | 9 |
| MAINTENANCE | 11 |

RECOMMENDATIONS AND SUGGESTIONS

⚠ The Instructions for Use apply to several versions of this appliance. Accordingly, you may find descriptions of individual features that do not apply to your specific appliance.

INSTALLATION


- The manufacturer will not be held liable for any damages resulting from incorrect or improper installation.
- Check that the mains voltage corresponds to that indicated on the rating plate fixed to the inside of the hood.
- For Class I appliances, check that the domestic power supply guarantees adequate earthing.
- Connect the extractor to the exhaust flue through a pipe of minimum diameter 120 mm. The route of the flue must be as short as possible.
- Do not connect the extractor hood to exhaust ducts carrying combustion fumes (boilers, fireplaces, etc.).
- If the extractor is used in conjunction with non-electrical appliances (e.g. gas burning appliances), a sufficient degree of aeration must be guaranteed in the room in order to prevent the backflow of exhaust gas. The kitchen must have an opening communicating directly with the open air in order to guarantee the entry of clean air.

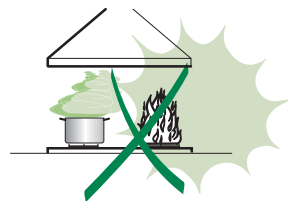
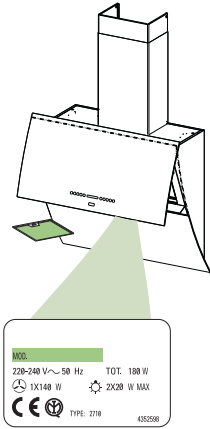
USE

- The extractor hood has been designed exclusively for domestic use to eliminate kitchen smells.
- Never use the hood for purposes other than for which it has been designed.
- Never leave high naked flames under the hood when it is in operation.
- Adjust the flame intensity to direct it onto the bottom of the pan only, making sure that it does not engulf the sides.
- Deep fat fryers must be continuously monitored during use: overheated oil can burst into flames.
- Do not flambè under the range hood; risk of fire
- This appliance is not intended for use by persons (including children) with reduced physical, sensory or mental capabilities, or lack of experience and knowledge, unless they have been given supervision or instruction concerning use of the appliance by a person responsible for their safety.
- Children should be supervised to ensure that they do not play with the appliance.

MAINTENANCE

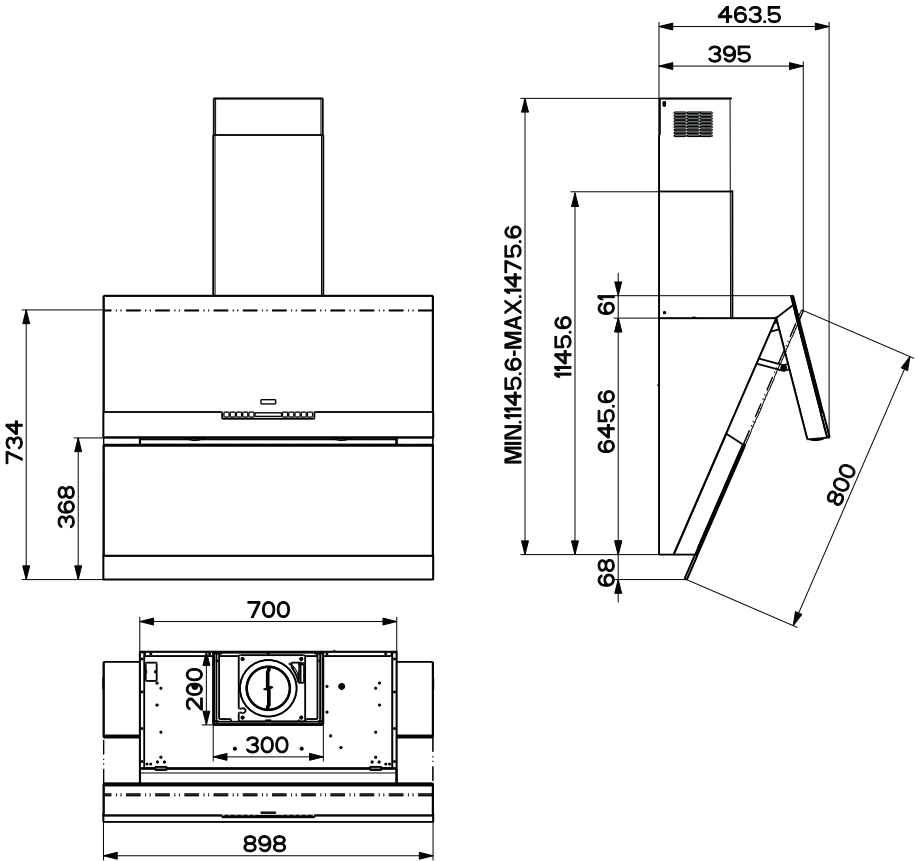
- Switch off or unplug the appliance from the mains supply before carrying out any maintenance work.
- Clean and/or replace the Filters after the specified time period.
- Clean the hood using a damp cloth and a neutral liquid detergent.

The symbol  on the product or on its packaging indicates that this product may not be treated as household waste. Instead it shall be handed over to the applicable collection point for the recycling of electrical and electronic equipment. By ensuring this product is disposed of correctly, you will help prevent potential negative consequences for the environment and human health, which could otherwise be caused by inappropriate waste handling of this product. For more detailed information about recycling of this product, please contact your local city office, your household waste disposal service or the shop where you purchased the product.



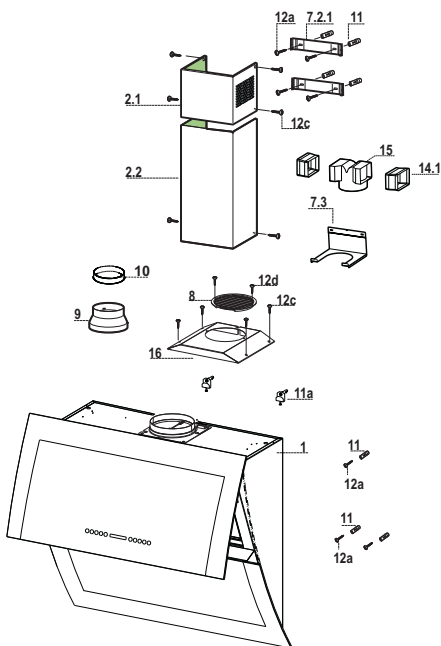
CHARACTERISTICS

Dimensions



Components

| Ref. | Q.ty | Product components |
|-------|---------------------|---|
| 1 | 1 | Cooker hood with control unit, lights, blower unit, filters |
| 2.1 | 1 | Upper chimney |
| 2.2 | 1 | Lower chimney |
| 8 | 1 | Air outlet grid |
| 9 | 1 | Reducer flange Ø 150-120 |
| 10 | 1 | Adapting ring ø 120-125 mm |
| 14.1 | 2 | Air Outlet Connection Extension |
| 15 | 1 | Air Outlet Connection |
| 16 | 1 | Cover for recycling version |
| Ref. | Q.ty | Installation components |
| 7.2.1 | 2 | Fixing brackets for upper chimney |
| 7.3 | 1 | Air Outlet Connection Support |
| 11 | 7 | Plugs |
| 11a | 2 | Plugs SB 12/10 |
| 12a | 7 | Screws 4,2 x 44,4 |
| 12c | 10 | Screws 2,9 x 6,5 |
| 12e | 2 | Screws 2,9 x 9,5 |
| Q.ty | Documentation | |
| 1 | Instruction booklet | |

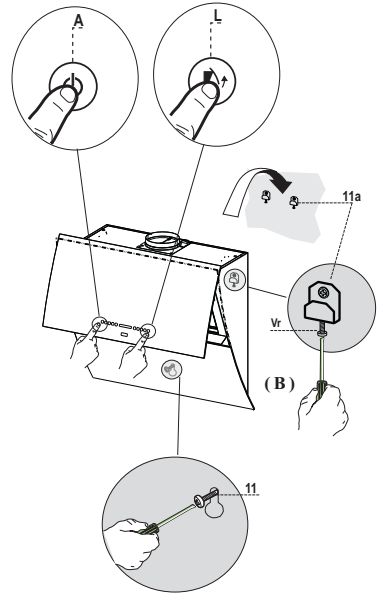


INSTALLATION

Hood body mounting

- Firstly, it is necessary to adjust the two **Vr**-screws of the **11a**-brackets, at minimum **(B)**.
- Hang the hood body on the two brackets **11a**.
- Connect the hood to the mains supply by means of a bipolar switch with at least 3 mm contact gap.
- Press the “**A**”-key for one second (see Part USE) to open the upper panel.
- Remove the metal filters.
- In order to align the hood it is necessary to adjust the **Vr**-screws from inside the hood.
- Fasten the safety screw **11**.
- Fit again the metal filters into their seats and close the upper panel by pressing “**L**”-key for one second (see Part USE).
- Disconnect the hood from the mains supply.

Attention: the upper panel stops if any barrier occurs in its way during the panel opening or closing. To open the panel it is enough to remove the barrier and press the key once again.

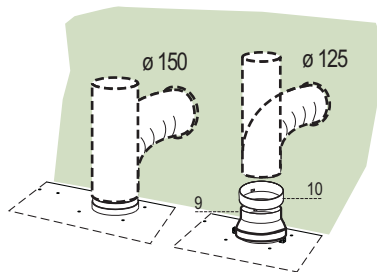


Connections

DUCTED VERSION AIR EXHAUST SYSTEM

When installing the ducted version, connect the hood to the chimney using either a flexible or rigid pipe \varnothing 150 or 125 mm, the choice of which is left to the installer.

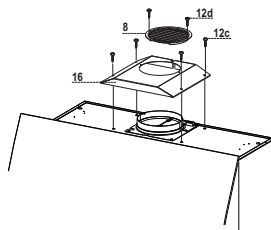
- To install a \varnothing 125 mm air exhaust connection, insert the reducer flange **9** on the hood body air outlet and the adapting ring \varnothing 120-125 **10** on the reducer flange.
- Fix the pipe in position using sufficient pipe clamps (not supplied).
- Remove any activated charcoal filters.



RECYCLING VERSION AIR OUTLET

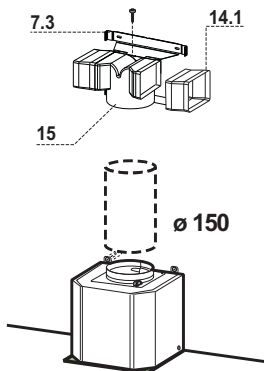
To install the hood in recycling version, the optional charcoal filter kit must be purchased.

- Remove the chimney angle bracket.
- Screw the filter cover onto the air outlet, using four screws **12c** (2,9 x 12,5).
- Fix the air outlet grid **8** on the recirculation air outlet using the 2 screws **12d** (2,9 x 9,5) provided.



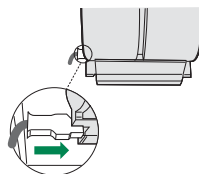
RECIRCULATION VERSION AIR OUTLET

- Insert the connection extension pieces laterally **14.1** in connection **15**.
- Insert the Connector **15** into the Support bracket **7.3** and fix it with a screw.
- Make sure that the outlet of the extension pieces **14.1** is horizontally and vertically aligned with the chimney outlets.
- Connect the air outlet connection **15** to the hood body outlet using either a flexible or rigid pipe \varnothing 150 mm, the choice of which is left to the installer.
- Ensure that the activated charcoal filters have been inserted.



ELECTRICAL CONNECTION

- Connect the hood to the mains supply.
- Open the upper panel by pressing the **A**-key (See Part “USE”) for at least 2 seconds.
- Remove the metal filters (See Part “MAINTENANCE”) and make sure that the connector piece of the supply cable is correctly inside the hood socket.



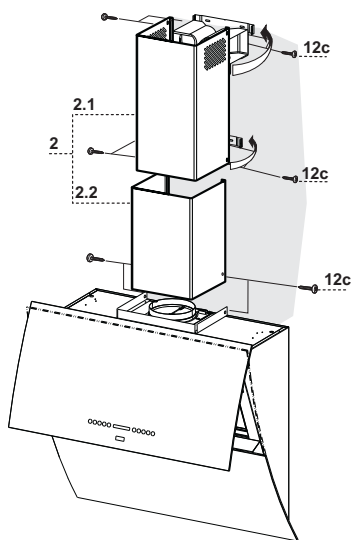
Flue assembly

Upper exhaust flue

- Slightly widen the two sides of the upper flue and hook them behind the brackets **7.2.1**, making sure that they are well seated.
- Secure the sides to the brackets using the 4 screws **12c** (2,9 x 9,5) supplied.
- Make sure that the outlet of the extensions pieces is aligned with the chimney outlets.

Lower exhaust flue

- Slightly widen the two sides of the flue and hook them between the upper flue and the wall, making sure that they are well seated.
- Fix the lower part laterally to the hood body using the 2 screws **12c** (2,9 x 9,5) supplied.



Control panel



| Key | Function | Display |
|----------|--|---|
| A | Upper panel closed: when pressed for about one second it opens the upper panel. It switches the motor on at the latest selected speed. Upper panel open: when shortly pressed it switches the motor on/off. | Indicates the selected speed. |
| B | Decreases the suction speed. | Number of lit LEDs decreases. |
| C | Increases the suction speed. | Number of lit LEDs increases. |
| D | Functioning only when the upper panel is open. This speed has been timed at 10 minutes. After that time the system activates automatically the latest selected speed. The function is suitable for cooking conditions when vapours and smells are of the utmost emission. | I flashes and all the LEDs on the display are lit. By pressing the key the function is deactivated. |
| E | Functioning only when the upper panel is open. By pressing this key it is possible to set up the motor to a suction speed at 100 m ³ /h . | 24 -symbol appears and the LEDs on the display go off cyclically, one by one. By pressing the key the function is deactivated. |
| F | Functioning only when the motor is on. By pressing this key it is possible to set the delayed shutdown of the motor and the lighting to 30 minutes. | A flashing clock symbol appears. By pressing the key the function is deactivated. |
| G | By pressing this key for about 2 seconds it is possible to reset the filter saturation alarm. | A drop symbol indicates that the metal grease filters saturation alarm has been activated, and the filters need to be washed. The alarm is triggered after 100 working hours. C indicates that the charcoal filter saturation alarm has been activated, and the filter has to be replaced. The alarm is triggered after 200 working hours. |
| H | By pressing this key the intensity of the lighting system can be modified up to five levels. | |
| I | Upper panel closed: when pressed for about 1 second it opens the upper panel and sets the lights at the maximum intensity. Upper panel open: when shortly pressed it switches the lights on/off. | |
| L | Upper panel closed: when pressed for about one second it opens the upper panel and switches the motor on at the third speed and the lights at the maximum intensity. Upper panel open: when pressed for about 1 second it switches off motor and lights resetting every activated function, and closes the upper panel. | |

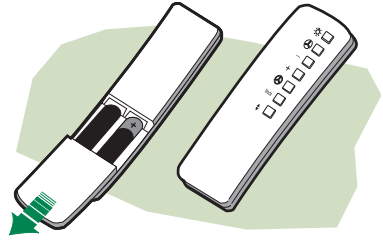
Keyboard lock: it is possible to jam the keyboard when, for example, cleaning the glass. The motor and lights are switched off, and upper panel can be open or closed.

By pressing the **F**-key (Delay) for about 5 seconds the keyboard block can be activated or deactivated. This function is confirmed by a Beep and by moving motor LEDs on display.

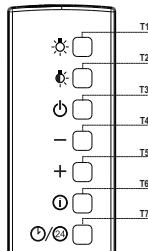
REMOTE CONTROL (OPTIONAL)

The appliance can be controlled using a remote control powered by a 1.5 V carbon-zinc alkaline batteries of the standard LR03-AAA type.

- Do not place the remote control near to heat sources.
- Used batteries must be disposed of in the proper manner.



Remote control (control panel)



| | | |
|-----------|----------------|---|
| T1 | Lighting | Upper panel closed: opens the upper panel and sets the lights at the maximum intensity. Upper panel open: switches the lights on/off. |
| T2 | Courtesy light | Sets the lights at an intermediate intensity or switches the lights off (only when the upper panel is open). |
| T3 | Motor | Upper panel closed: opens the upper panel, switches on the motor at the latest selected speed. Upper panel open: switches the motor on/off. When pressed for about 2 Seconds : upper panel closed: opens the upper panel and switches on the motor at the third speed and the lights at the maximum intensity. Upper panel open: switches off lights and motor and closes the upper panel. |
| T4 | | Decreases the speed at every short pressure. When pressed for about 2 Seconds : decreases the intensity of lights. |
| T5 | | Increases the speed at every short pressure. When pressed for about 2 Seconds : Increases the intensity of lights. |
| T6 | | Activates/deactivates the intensive speed. |
| T7 | Delay / 24h | Activates / deactivates the Delay-function. When pressed for 2 seconds : Activates/deactivates the 24H-function. |

MAINTENANCE

Metal grease filters

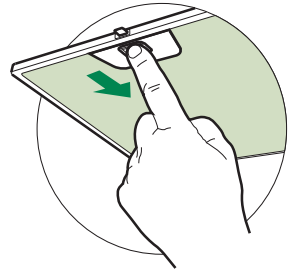
Filters can be washed in the dish machine. They need to be washed when **Drop**-sign appears on the display or in any case every 2 months, or even more frequently in case of particularly intensive use of the hood.

Alarm reset

- Press the **G**-key for at least 2 seconds.

Cleaning the filters

- Open the upper panel by pressing the **A**-key for 1 second (see Part USE).
- Remove the filters one by one pushing them towards the back side of the hood unit and simultaneously pulling downwards.
- Any kind of bending of the filters has to be avoided when washing them. Before fitting them again into the hood make sure that they are completely dry. (The colour of the filter surface may change throughout the time but this has no influence to the filter efficiency).
- When fitting the filters into the hood pay attention that they are mounted in correct position the handle facing outwards.



Charcoal filter (recycling version)

This filter cannot be washed or regenerated. It must be replaced when the **C** appears on the display or at least once every 4 months. The filter saturation alarm has to be activated already before.

Activation of the alarm signal

- In the recycling version hoods the filter saturation alarm must be activated during the installation or later.
- Switch off the hood and the lights.
- Press the **E**-key for about **5 seconds** until the last two segments of the motor LEDs are lit on the display.
- By releasing the **E**-key the clock icon starts to flash.
- Within **3 seconds** press the **D**-key to activate/deactivate charcoal filter saturation alarm.
 - **C**-symbol lit - charcoal filter saturation alarm **ACTIVATED**.
 - **C**-symbol unlit - charcoal filter saturation alarm **DEACTIVATED**.

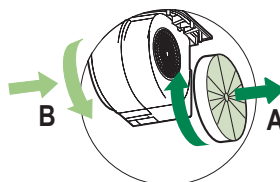
REPLACING THE CHARCOAL FILTER

Alarm reset

- Press the **G**-key for at least 2 seconds.

Replacing the filter

- Open the upper panel by pressing the **A**-key for about a second (see Part USE).
- Remove the metal filters.
- Remove the saturated charcoal filter as indicated (**A**).
- Fit the new filters as indicated (**B**).
- Put the metal grease filters in their seats.

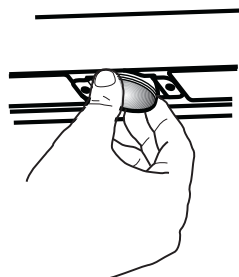


Lighting

LIGHT REPLACEMENT

20 W halogen light.

- Extract the lamp from the lamp holder by pulling gently.
- Replace with another of the same type, making sure that the two pins are properly inserted in the lamp holder socket holes.

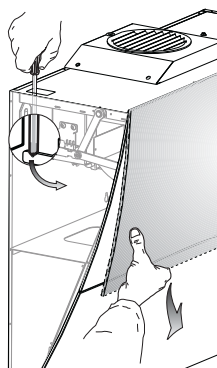
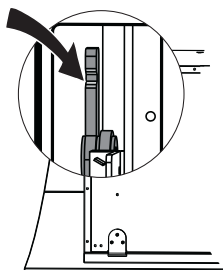
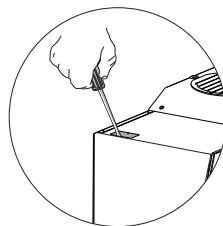


Replacing the fuse

The hood panel opening and closing mechanism is controlled by a starter motor which is activated by a fuse. This fuse works only on the starter motor. In case the fuse gets damaged when the panel is closed it is necessary to manually unblock the panel. In this case proceed as follows:

- Remove the cover placed up on the left side.
- Press the releasing lever with the screwdriver as much as necessary to enable the manual opening of the panel.
- After having completely opened the panel remove the metal grease filters, as explained in the part concerning the filter cleaning.
- The fuse is placed up on the right side. Turn the fuse holder as indicated. Replace the fuse with one having the same features.
- Put the fuse holder and grease filters into their place again. Make sure that the hood functions correctly. In case the panel doesn't work correctly it is necessary to contact an authorized technician.

If the fuse gets damaged being the panel open, it is sufficient to simply remove the grease filters and replace the fuse.





RANGEmaster

Clarence Street, Royal Leamington Spa,
Warwickshire, CV31 2AD, England.

Tel: +44 (0) 1926 457400 Fax: +44 (0) 1926 450526

E-mail: consumers@rangemaster.co.uk

www.rangemaster.co.uk

AGA RANGEMASTER LTD.